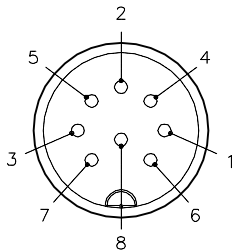



MALE END VIEW

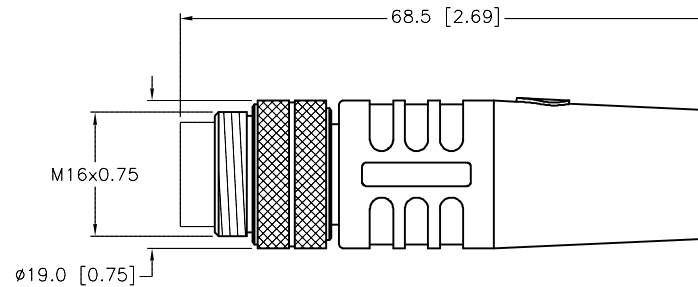


- 1 = N/C
- 2 = N/C
- 3 = RESISTOR
- 4 = N/C
- 5 = RESISTOR
- 6 = RESISTOR
- 7 = RESISTOR
- 8 = N/C

 M16 connector

SPECIFICATIONS


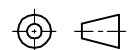
CONTACT CARRIER MATERIAL	TPU
MOLDED HEAD MATERIAL/COLOR	TPU/BLUE-GRAY
CONTACT MATERIAL/PLATING	BRASS/GOLD
COUPLING NUT MATERIAL/FINISH	STAINLESS STEEL/PASSIVATED
RATED CURRENT [A]	7.0 A
RATED VOLTAGE [V]	125 V
INTERNAL RESISTOR	CARBON COMPOSITION
TEMPERATURE RATING	-40°C to +80°C (-40°F to +176°F)
PROTECTION CLASS	MEETS NEMA 1,3,4,6P AND IEC IP67
RESISTORS	120 Ohms, 1/2 W



SOURCE DRAWING - FOR REFERENCE ONLY

NOTES:

- 1. "/S679" DESIGNATES BLUE/GRAY MOLDED PLUG BODY.

RELATED DOCUMENTS		3RD ANGLE PROJECTION		THIS DRAWING IS CONFIDENTIAL AND THE PROPERTY OF TURCK INC. USE OF THIS DOCUMENT WITHOUT WRITTEN PERMISSION IS PROHIBITED.		 3000 CAMPUS DRIVE MINNEAPOLIS, MN 55441 1-800-544-7769 (763) 553-7300 (763) 553-0708 fax turck.com	
1. 2. 3. 4.				DRFT RDS	DATE 10/08/13	DESCRIPTION	
MATERIAL		ALL DIMENSIONS DISPLAYED ON THIS DRAWING ARE FOR REFERENCE ONLY		APVD E.S.	SCALE 1=1.0	BSMV 8-TR35/67/S679	
SEE SPECIFICATIONS		CONTACT TURCK FOR MORE INFORMATION		UNIT OF MEASUREMENT		IDENTIFICATION NO.	
FINISH		MILLIMETERS		DO NOT SCALE THIS DRAWING		REV	
SEE SPECIFICATIONS						U2-22432	
A DRAWING RELEASE		KMY 02/06/14		FILE: U2-22432		SHEET 1 OF 1	
REV DESCRIPTION		BY DATE ECO NO.					